

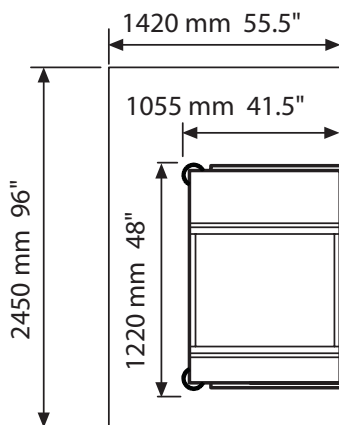
# Stacker 566

## High performance stacks



- ✓ Up to 10" stack of sheets
- ✓ 1-, 2- or 3-up with offset
- ✓ Bypass function to in-line finishing device
- ✓ Intelligent reject gate

### Service Area



### Technical Specifications

#### Performance / Media

Speed max.	450 ft/min	137 m/min
Feeding	Pinfed or pinless	
Paper weight	10.7# bond - 112# index 40 - 200 gsm (S/M 2 x 100 gsm)	
Web width	5.5" - 20.5"	140 mm - 520 mm
Sheet length	3.5" - 19.5" (in steps of 1/8", 1/6", 1mm) up to 28"	
Long Version	up to 710 mm	
Stack height	10"	250 mm
Offset	0.6"	15 mm
Delivery height	25.5 - 29.5"	650 - 750 mm
Output options	1-, 2-, 3-up with offset	
Offset	0.6"	15 mm

#### Electrical

Power	10A, 200-240 VAC, 50/60 Hz or (North America) 15A, 1 Phase, 208 V, REC=L6-15R	
Consumption	600 W (in use)	100 W (idle)
Heat output	1640 BTU/h	

#### Environmental

Temperature	60 - 80° F	15-27° C
Acoustics	72 dB(A)	
Humidity	40 - 60%	

#### Dimensions

Length	41.5"	1055 mm
Long Version	51.6"	1312 mm
Width	48"	1220 mm
Height	45"	1140 mm
Weight	595 lb	270 kg
Long Version	662 lb	300 kg
Color	Dark Gray	

#### Approvals

CE (98/37/EG), EMC Class A, LVD,  
CB EN 60950, cULus 1950 3rd,  
FCC15 Class A, VCCI

Product Specifications

