

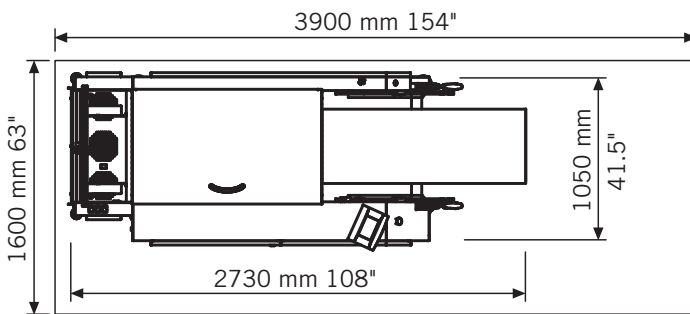
Unwinder u10

High speed roll feeding



- ✓ **Center-shaft driven**
- ✓ **Easy to use splice station**
- ✓ **Feed directly into printers or inserters**

Service Area



Technical Specifications

Performance / Media

Speed max.	700 ft/min	210 m/min
Feeding	Pinfed or pinless	
Paper weight	10.7# bond - 110# index, 40 - 200 gsm	
Roll diameter	4" - 52"	100 mm - 1320 mm
Roll weight max.	1389 lb	630 kg
Web width	6" - 20.5"	155 mm - 520 mm
Core sizes	3", 5", 6"	70, 150, 200 mm

Options

Splice sensor	To detect splice in paper roll
Fan kit	To control paper loop

Electrical

Power	10A, 200-240 VAC, 50/60 Hz or (North America) 15A, 1 Phase, 208 V, REC=L6-15R
Consumption	500 W (in use) 120 W (idle)
Heat output	360 kcal/h - 1100 kJ/h - 1030 BTU/h

Environmental

Temperature	60-80° F	15-27° C
Acoustics	65 dB(A)	
Humidity	40 - 60%	

Dimensions

Length inc loop	91"	2310 mm
inc loop and max roll	108"	2730 mm
Width	41.5"	1100 mm
Height excl. display	45.5"	1155 mm
Weight	1781 lb	808 kg
Color	Gray	

Approvals

CE (2006/42/EC), EMC Class A, LVD,
CB EN 60950, cULus 60950-1,
FCC15 Class A

Product Specifications

